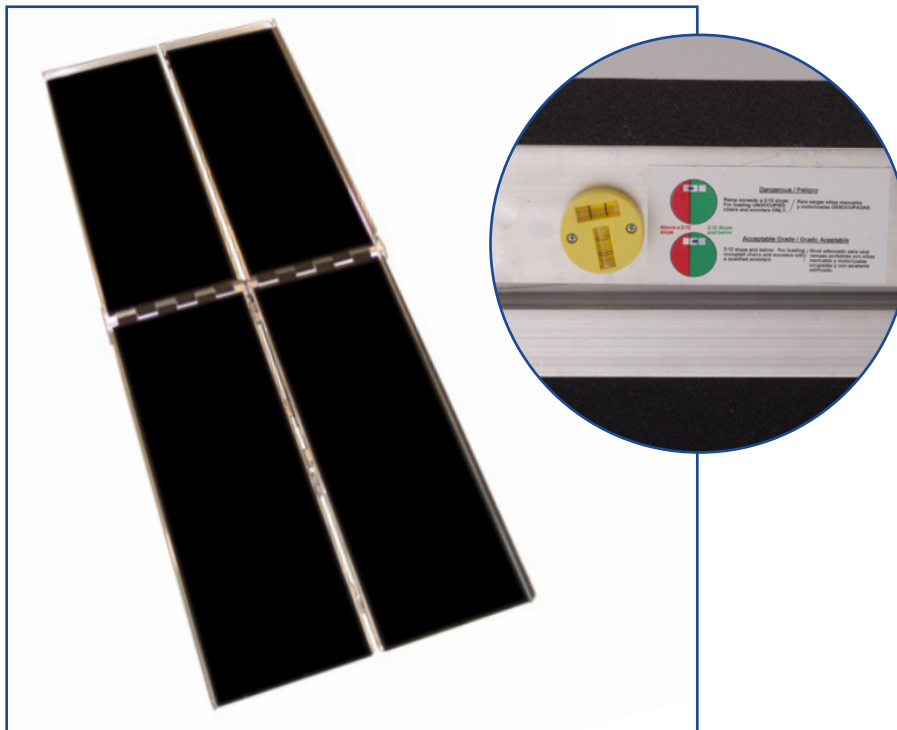




**We are the
Difference.**

BARIATRIC MULTIFOLD



- bariatric multifold separates into two pieces for easy carrying.
- patented center joint hinge eliminates pinch point and adds strength.
- folds in half, carries like a suitcase.
- durable welded fabrication.
- visual aid to determine if ramp is on a safe slope prior to use.



Prairie View Industries, Inc.

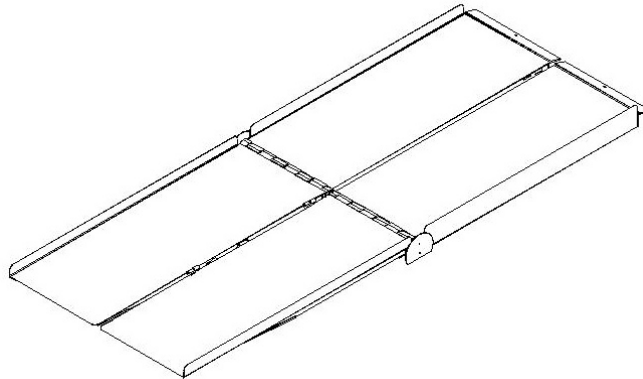
prairie view industries, inc. | ramp division | p.o. box 575 | fairbury, ne 68352-0575
phone 800-554-7267 | fax 402-729-4058 | email info@pviramps.com | www.pviramps.com



aluminum

BARIATRIC MULTIFOLD

Prairie View Industries, Inc.
RAMPS



FEATURES

- bariatric multifold separates into two pieces for easy carrying.
- patented center joint hinge eliminates pinch point and adds strength.
- folds in half, carries like a suitcase.
- durable welded fabrication.
- visual aid to determine if ramp is on a safe slope prior to use.

DETAILS AND SPECIFICATIONS

- accomodates wheelchairs and scooters with various wheel configurations.
- closure strap locks ramp panels together.
- safety DVD and steel security pins included.
- maximum capacity rating is 800# for two axles and 400# single axle.

BARIATRIC MULTIFOLD					
Model Number	Length (feet)	Width (inches)	Description	Weight (lbs.)	Capacity* (lbs.)
BAR536	5	36	Bariatric Multifold	50	800
BAR636	6	36	Bariatric Multifold	58	800
BAR736	7	36	Bariatric Multifold	67	800
BAR836	8	36	Bariatric Multifold	76	800
* maximum capacity is 800# for two axles and 400# for single axle.					

Item #:

Model #:

Project #:

Quantity #: